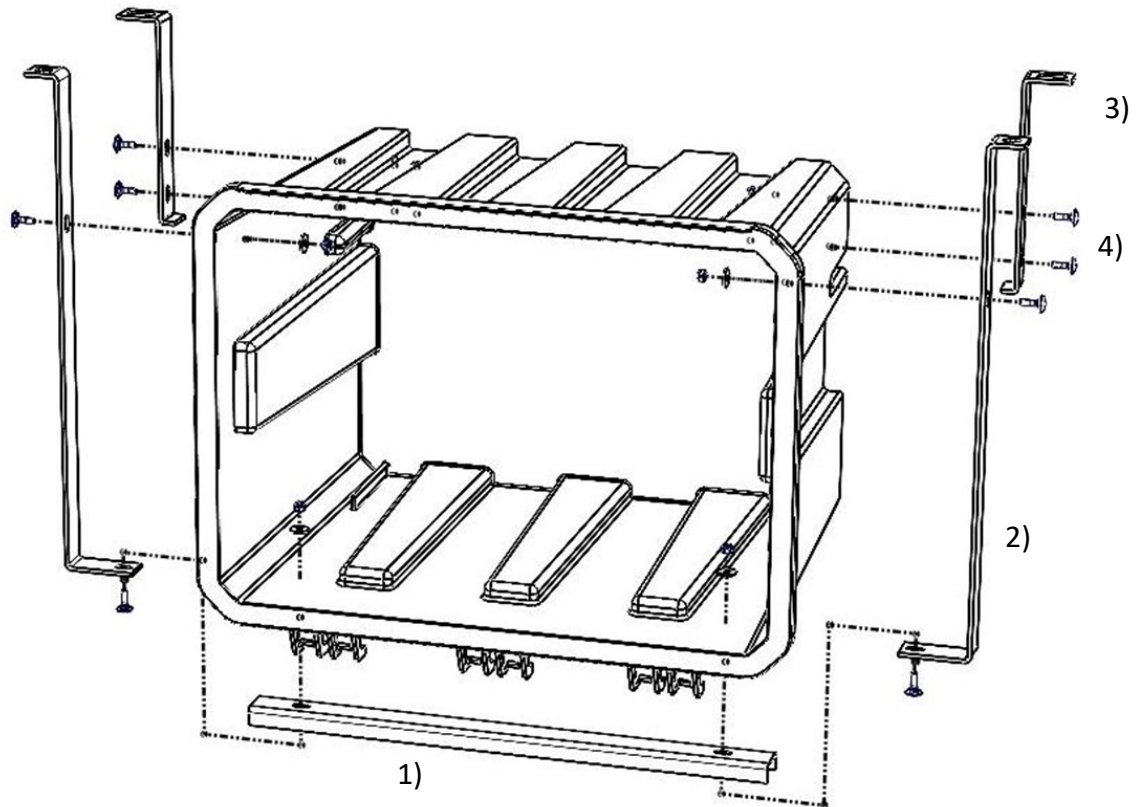


INSTALLATION INSTRUCTIONS

102902 Installation kit SL4 (vertical) for
100452 Toolbox 600x450x450



Pos.	Qty	Part
1	1 x	U-profile 530mm
2	2 x	Z-bracket 508mm
3	2 x	Z-bracket 218mm

4	9 x	 Square Neck Bolt M6x20
4	9 x	 Nut Nyloc M6
4	9 x	 Washer M6x18

